

## Series T2000 Wall Mounted Emergency Eye & Eye/Face Wash

In order to comply with the **ANSI Z358.1** Standard the following notes should be followed:

- Station should be assembled and installed in accordance with the manufacturer's instructions, including flushing fluid delivery requirements.
- Station should be in accessible locations that require no more than 10 seconds to reach. The combination station shall be located on the same level as the hazard and the path of travel shall be free of obstructions that may inhibit its immediate use.
- Station should be located in an area identified with a highly visible sign positioned so the sign shall be visible within the area served by the combination station. The area around the combination station shall be well lit.
- Eye/Face wash shall be positioned with nozzles not less than 33 inches (83.8 cm) and no greater than 45 inches (114.3 cm) from surface on which user stands and 6 inches (15.3 cm) minimum from wall or nearest obstructions.
- If shut off valves are installed in the supply line for maintenance purposes, provisions shall be made to prevent unauthorized shut off.

**NOTES:** It is recommended to flush pipes prior to installing emergency eye/face wash fixture. Instructions should be reviewed prior to starting the installation. Remove parts from packaging and verify all necessary parts are accounted for and not damaged. Please contact Stingray Systems for any missing or damaged parts prior to starting installation.

### INSTALLATION

#### Supplies Required (Not Included):

Pipe Sealant or Teflon Tape - To Be Used On All Piping Connections  
Wall Anchors - (3) 3/8" Anchors Specific For Wall Type Recommended

#### Installing the Fixture

1. Attach Manifold Assembly to Wall Mount Plate with flat head screws.
2. Secure Wall Plate to wall with wall anchors.
3. Insert Eye/Face Wash Bowl Assembly into Manifold with red drainpipe going into drain fitting. Tighten setscrews on side of Manifold to support tube. Press fit drain fitting on Manifold Assembly to red drainpipe on Eye/Face Wash Bowl Assembly.
4. Loop Eye Piece Safety covers to Eye Block inlet tube on Eye Block Assembly. Press fit Eye Block into Eye/Face Wash Bowl Assembly.
5. Mount sign near the assembled unit at the desired location.
6. Connect 1/2" hot water supply piping to hot water inlet and 1/2" cold water supply piping to cold-water inlet on the assembled station. Installer to provide sufficient support of piping so that the assembled station is not relied on to supply support.
7. Connect 1" drain piping to drain outlet at the bottom of the station.
8. Open supply line to check for leaks. Push on activator to insure adequate flow and drainage through Eye/Face Wash. Pull back to stop water flow.

#### Setting the Mixing Valve

This mixing valve has been set at the factory to deliver 85°F outlet flow. Should the valve require adjustment, or an application requires a different set temperature, proceed as follows:

1. Contact the proper medical and safety authorities to determine the correct water temperature for the specific application (i.e. chemicals).
2. Remove the rounded cover nut on top of the thermostat.
3. Create a draw on the mixing valve by opening a downstream eye wash fixture.
4. Insert a 5/32" allen key into the stem opening of the valve and seat in the adjustment screw (not shown). Set the outlet temperature by turning the adjustment screw clockwise to reduce temperature, counterclockwise to increase temperature. Use the dial thermometer to measure the outlet temperature.
5. Replace rounded cover nut.

### Troubleshooting

Problem	Checklist
No flow.	Make sure the water supply for station is on.
Water does not drain properly.	Check to see if station is installed level and correct as needed. Make sure nothing is blocking drain of the bowl. Remove any debris. Double check the main waste line for the facility. Make sure there is no blockage and that it can handle the required drainage.
Water leaks between fittings or connections.	Tighten all connections. If leak persist, disassemble, apply additional sealant and reassemble.
Insufficient flow to eye/face wash.	Turn water supply to station off. Remove the eye pieces and clean out any debris. Make sure diverter is fully opened. Verify pressure to station is at 30 psi as required.

### Maintenance

Emergency Eye/Face Wash Systems shall be activated on a weekly basis to verify operation and to flush the lines per the American National Standards Institute (ANSI). Inspections shall be recorded with inspector's name and date tested.

#### Testing the Fixture

1. Activate eye/face wash fixture to observe and record the water released from the fixture. It should flow at a minimum of 0.4 gpm for an eyewash fixture and 3 gpm for an eye/face wash fixture. A flow meter is recommended for accurate measurement.
2. Use a test gauge to determine if the flow pattern is compliant to the latest ANSI Z358.1 requirements.
3. Observe and record the temperature of water on the dial thermometer. If the temperature of the thermometer is not correct, readjust the mixing valve according to the section "Setting the Mixing Valve".

4. Pull back on the activator to turn the water off.
5. Record date of testing.

In addition to testing for proper temperature, the cold-water by-pass and hot water shut down features of the mixing valve should be tested weekly. The test procedure is as follows:

1. Test valve temperature as described above.
2. Shut off the hot water supply to the mixing valve. Observe the outlet flow from the emergency fixtures to ensure an adequate flow of cold water. A slight drop in flow may occur after shutting down the hot water supply to the mixing valve; however, the drop should be minimal and for a short duration.
3. Open the hot water supply to the mixing valve. The thermometer should return to the set temperature.
4. Shut off the cold water supply to the mixing valve. The flow of water should shut down rapidly.
5. Open the cold-water supply. The thermometer should return to the set temperature.

**Note:** The thermometer should be checked at least every six months.

Should the need to repair or replace any parts on this station, please contact Stingray Systems. Before any repairs are performed, please verify that the water supply to the station is shut off.

### **Guarantee**

We guarantee the Stingray Systems product to be free from defects in workmanship and material, and for a period of eighteen (18) months from date of shipment from the factory or one (1) year from date of installation, whichever occurs first, will replace any parts found by us to be defective. We will not be held responsible, however, for any labor incidental to, or for any damages caused by defective material.

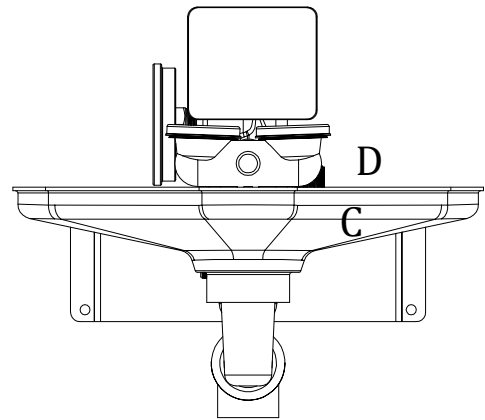
With any questions, please do not hesitate in contacting us at:

**1-888-445-4142**

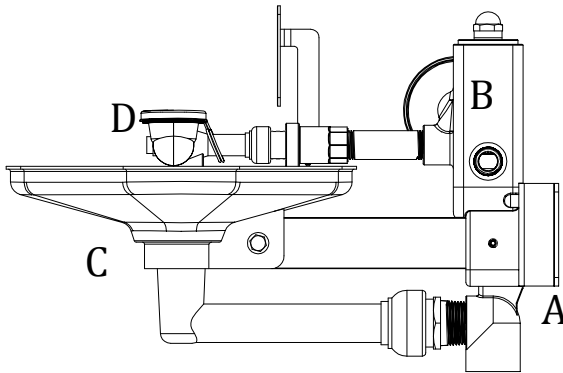
or via email at [info@tepid.com](mailto:info@tepid.com)

A	Wall Plate
B	Manifold Assembly
C	Eye/Face Wash Bowl Assembly
D	Eye Block

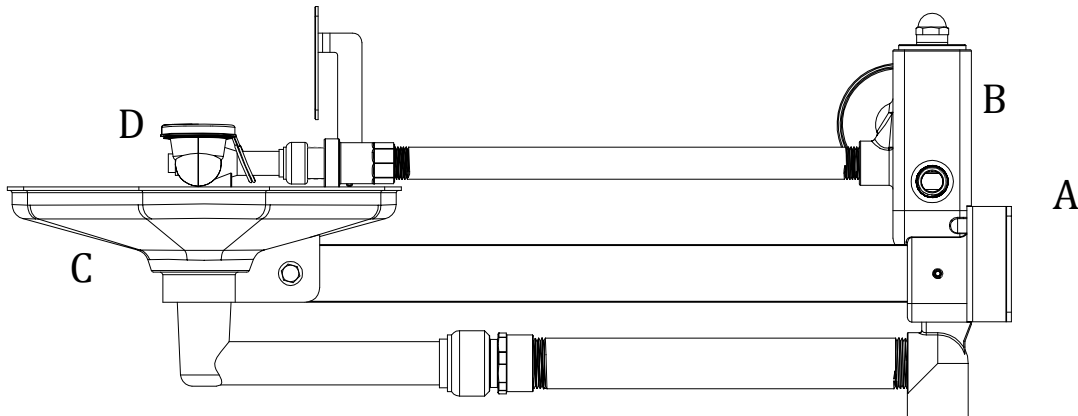
**FRONT VIEW**



**SIDE VIEWS**



S2230  
 S2530



S2235  
 S2535

Date	T1	T2	T3		Date	T1	T2	T3
Jan				YEAR	July			
Feb					Aug			
March					Sept			
April					Oct			
May					Nov			
June					Dec			
July					Jan			
Aug					Feb			
Sept					March			
Oct					April			
Nov					May			
Dec					June			
Jan				YEAR	July			
Feb					Aug			
March					Sept			
April					Oct			
May					Nov			
June					Dec			
July					Jan			
Aug					Feb			
Sept					March			
Oct					April			
Nov					May			
Dec					June			
Jan				YEAR	July			
Feb					Aug			
March					Sept			
April					Oct			
May					Nov			
June					Dec			

Plumbed emergency eyewashes, eye/face washes, drench hoses, showers & combination units shall be activated weekly for a period long enough to verify operation and ensure that flushing fluid is available.

Before you use this chart please make a copy for future testing records.