



5330 East 25th Street
Indianapolis Indiana 46218
(888) 445-4142
www.tepid.com

ANSI/ISEA Z358.1 Certified
Patent Information:
tepid.com/patents

Stingray Systems **S3020/S3025** Floor Mounted Emergency Shower

The S3020/S3025 emergency shower is a ceiling mounted unit that shall be manufactured of corrosion resistant materials and shall include ANSI compliant signage. The shower shall include a First Aid Red ABS showerhead (or stainless steel showerhead) designed to give the user uniform and non-forceful flow over the entire coverage area at 20 gpm at 30psi. A stainless steel pull handle connected to the nickel-plated ball valve accomplishes activation of the shower.

The inlet piping shall be galvanized steel (or epoxy coated or stainless steel) and 1" NPT. The shower shall be installed at the correct elevation per the standard, be installed level and be self-draining to hinder bacteria growth. The shower shall also be independently certified to meet the latest ANSI/ISEA Z358.1 requirements.



Series: S3030/S3035

Model Number:

- S3020 Ceiling Mounted Standard Shower
- S3025 Ceiling Mounted Barrier Free Shower

Pipe Finish:

- Galvanized (**GA**)
- Epoxy Coated (**EP**)
- Stainless Steel (**SS**)

Showerhead Material Options:

- ABS (**NA/AB**)
- Stainless Steel (**NA/SS**)

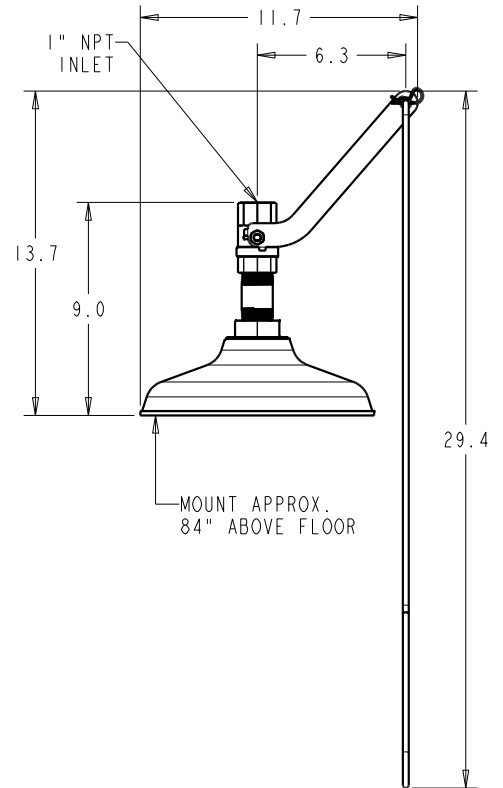
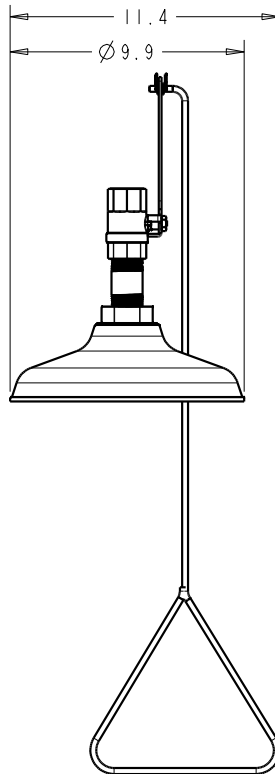
For a complete **TEPID** solution, this fixture shall be combined with a Stingray SV125 or SV160 emergency mixing valve.



5330 East 25th Street
Indianapolis Indiana 46218
(888) 445-4142
www.tepid.com

ANSI/ISEA Z358.1 Certified
Patent Information:
tepid.com/patents

Model: S3020



Model: S3025

