



5330 East 25th Street
Indianapolis Indiana 46218
(888) 445-4142
www.tepid.com

ANSI/ISEA Z358.1 Certified
Patent Information:
tepid.com/patents

Stingray Systems S3010/S3015 Floor Mounted Emergency Shower

Series: S3010/S3015

The S3010/S3015 emergency shower is a floor mounted unit that shall be manufactured of corrosion resistant materials and shall include ANSI compliant signage. The shower shall include a First Aid Red ABS showerhead (or stainless steel showerhead) designed to give the user uniform and non-forceful flow over the entire coverage area at 20 gpm at 30psi. A stainless steel pull handle connected to the nickel-plated ball valve accomplishes activation of the shower.

The shower shall incorporate a 1/4" thick base plate that is 8" in diameter and shall be secured to the floor with appropriate anchors. The standpipe shall be galvanized steel (or epoxy coated or stainless steel) and shall be at the correct length to get the fixture to the correct elevation per ANSI/ISEA Z358.1. The inlet connection is to be 1" NPT female. The shower shall be installed level and be self-draining to hinder bacteria growth. The shower shall also be independently certified to meet the latest ANSI/ISEA Z358.1 requirements.

The modular design will allow for modifying the specs of eyewash without replacement of the whole unit.



Model Number:

- S3010 Floor Mounted Standard Shower
- S3015 Floor Mounted Barrier Free Shower

Pipe Finish:

- Galvanized (GA)
- Epoxy Coated (EP)
- Stainless Steel (SS)

Showerhead Material Options:

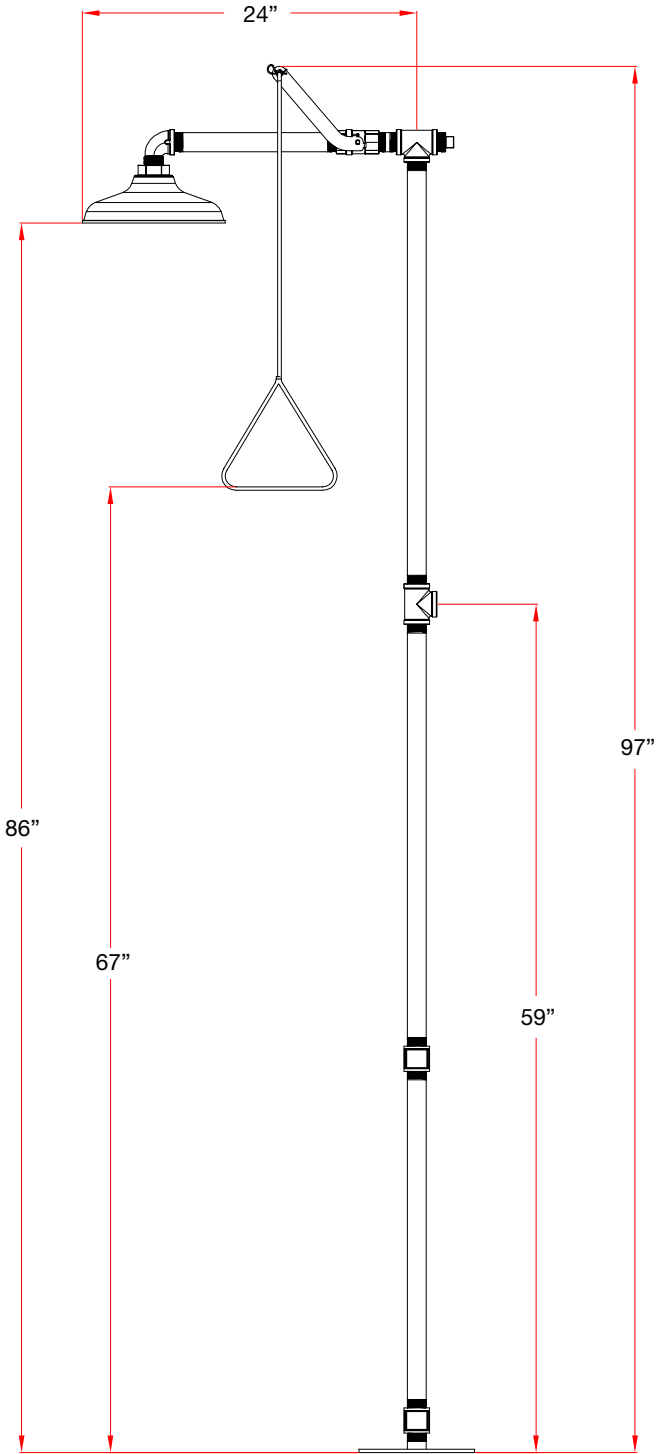
- ABS (NA/AB)
- Stainless Steel (NA/SS)

For a complete **TEPID** solution, this fixture shall be combined with a Stingray SV125 or SV160 emergency mixing valve.

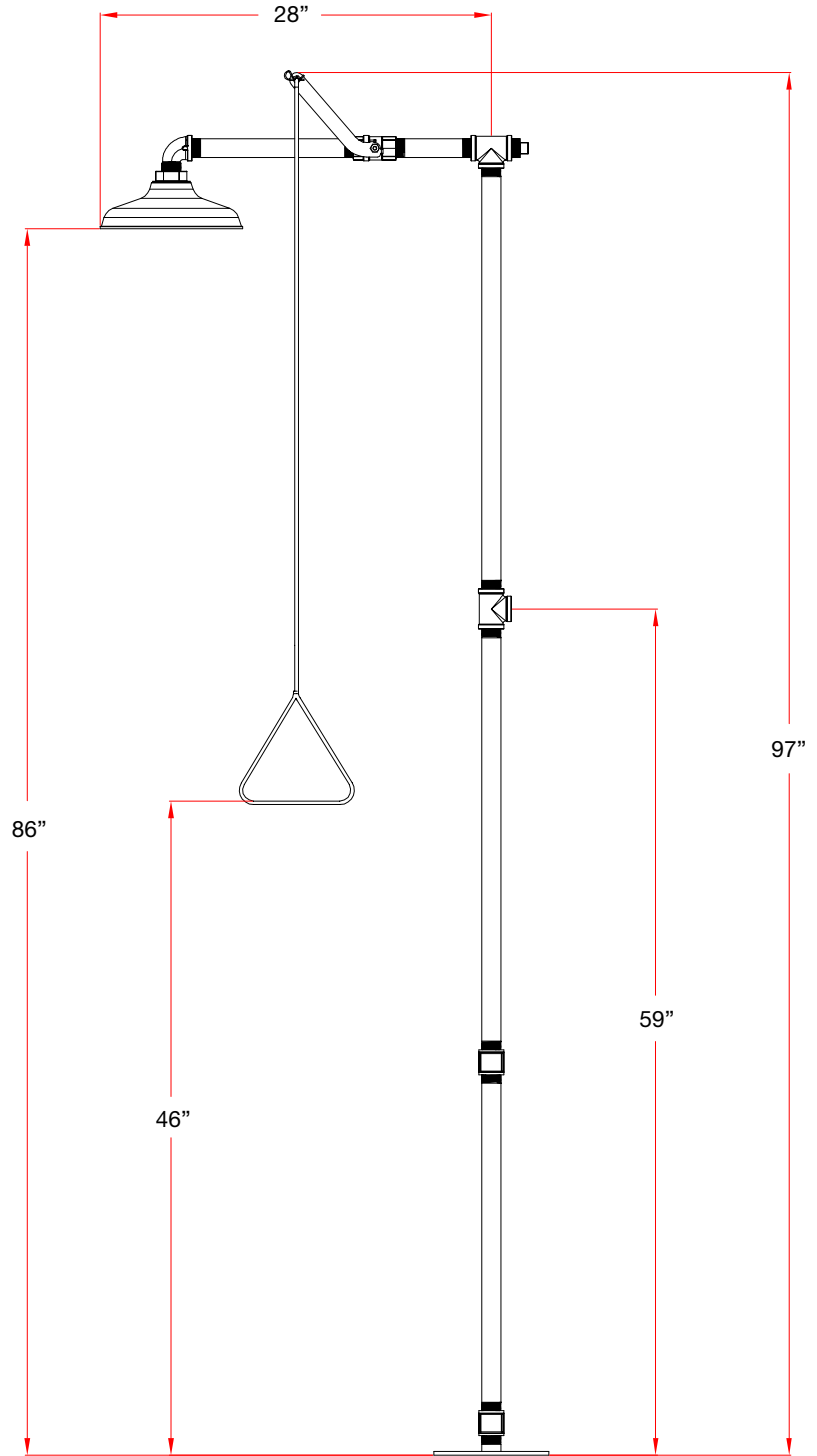


5330 East 25th Street
Indianapolis Indiana 46218
(888) 445-4142
www.tepid.com

ANSI/ISEA Z358.1 Certified
Patent Information:
tepid.com/patents



Model: S3010



Model: S3015