



5330 East 25th Street
Indianapolis Indiana 46218
(888) 445-4142
www.tepid.com

ANSI/ISEA Z358.1 Certified
Patent Information:
tepid.com/patents

Stingray Systems **S2530/S2535** Wall Mounted Eye/Face Wash

The S2530/S2535 emergency eye/face wash is a wall mounted unit that shall be manufactured of corrosion resistant materials. The manifold assembly shall be a nickel-plated brass unit with 1" NPT female connections for inlet and drain piping. It shall include a centrally located activator with universal ANSI compliant sign.

The bowl assembly shall include a First Aid Red ABS bowl (or stainless steel bowl). The spray heads shall be PVC with dust caps and designed to flow at the specified flow rate. The spray heads shall be incorporated into a Quick Switch Eyewash Block that can be easily removed and serviced, allowing the supply piping to be flushed. The Quick Switch Eyewash Block (with optional integral point of use filters) shall be a single supply source eyewash unit to ensure symmetrical and equal flow through each spray head. The eye/face wash will come complete with nickel-plated inlet pipe and epoxy coated wall mount bracket. The eye/face wash shall be installed at the correct elevation per ANSI/ISEA Z358.1, be level and be self draining to hinder bacteria growth. The eye/face wash shall also be independently certified to meet the latest ANSI/ISEA Z358.1 requirements.

As an eye/face wash system, this fixture will have a regulated flow rate of more than 3 gpm measured at 30 psi.



Series: S2530/S2535

Model Number:

- S2530 Wall Mounted Standard Eye/Face wash
- S2535 Wall Mounted Barrier-Free Eye/Face wash

Quick Switch Eyewash Block Options:

- Filter 70 Micron (FLT)
- No Filter (NFT)

Bowl Material Options:

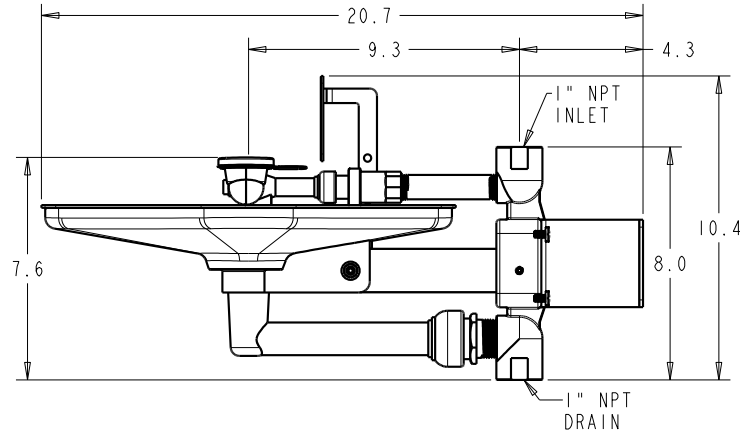
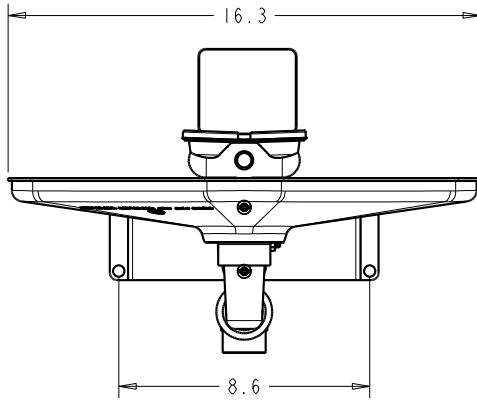
- First Aid Red ABS (AB/NA)
- Stainless Steel (SS/NA)

For a complete **TEPID** solution, this fixture shall be combined with a Stingray SV107 emergency mixing valve.

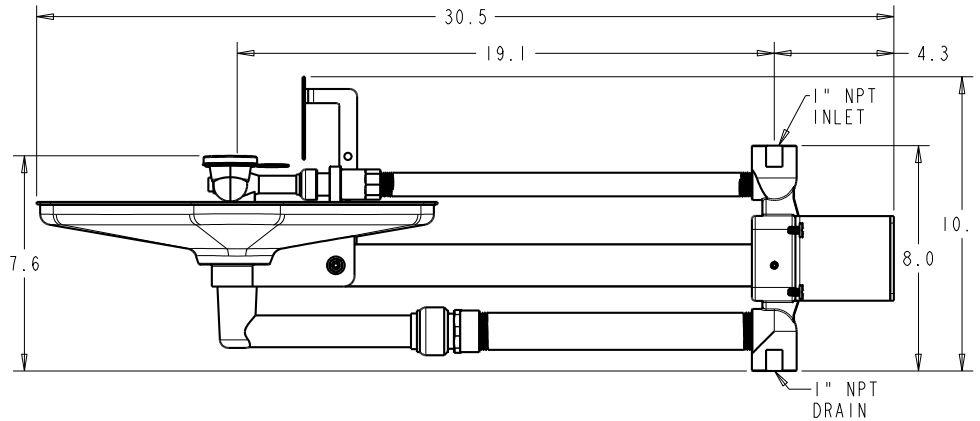
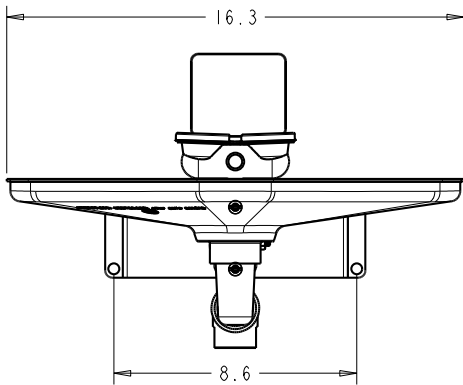


5330 East 25th Street
Indianapolis Indiana 46218
(888) 445-4142
www.tepid.com

ANSI/ISEA Z358.1 Certified
Patent Information:
tepid.com/patents



Model: S2530



Model: S2535