



5330 East 25th Street
Indianapolis Indiana 46218
(888) 445-4142
www.tepid.com

ANSI/ISEA Z358.1 Certified
Patent Information:
tepid.com/patents

Stingray Systems **S2261/S2561** Deck Mounted Swing Out Eye & Eye/Face Wash



Series: S2261/S2561

The deck mounted S2261/S2561 is an emergency eyewash or eye/face wash that is swing-out operated. It shall be manufactured of corrosion resistant materials. A ceramic stay open valve, that is housed in a lead-free brass body, accomplishes the activation of the unit. The water will start to flow once the arm is pulled out over the sink. Turning the water off is accomplished by simply pushing the arm back towards the edge of the sink. It shall also include a universal ANSI compliant sign.

The spray heads shall be ABS with dust caps and incorporated into a Quick Switch Eyewash Block that can be easily removed and serviced, allowing the supply piping to be flushed. The Quick Switch Eyewash Block (with optional integral point of use filters) shall be a single supply source eyewash to ensure symmetrical and equal flow through each spray head. The water shall be delivered to the Quick Switch Eyewash Block from the housing by a stainless steel supply pipe that is 1/2" in diameter. The eyewash or eye/face wash shall be installed at the correct elevation per ANSI/ISEA Z358.1, be level and be self draining to hinder bacteria growth. The unit shall also be independently certified to meet the latest ANSI/ISEA Z358.1 requirements.

As an eyewash, this fixture will have a regulated flow rate of less than 3 gpm when measured at 30 psi. As an eye/face wash, it shall deliver a regulated flow of more than 3 gpm, measured at 30 psi.

Mounting:

- S2261 Deck Mounted Eye Wash
- S2561 Deck Mounted Eye/Face Wash

Pipe Finish:

- Nickel Plated with Stainless Steel Pull(NP)

Quick Switch Eyewash Block Options:

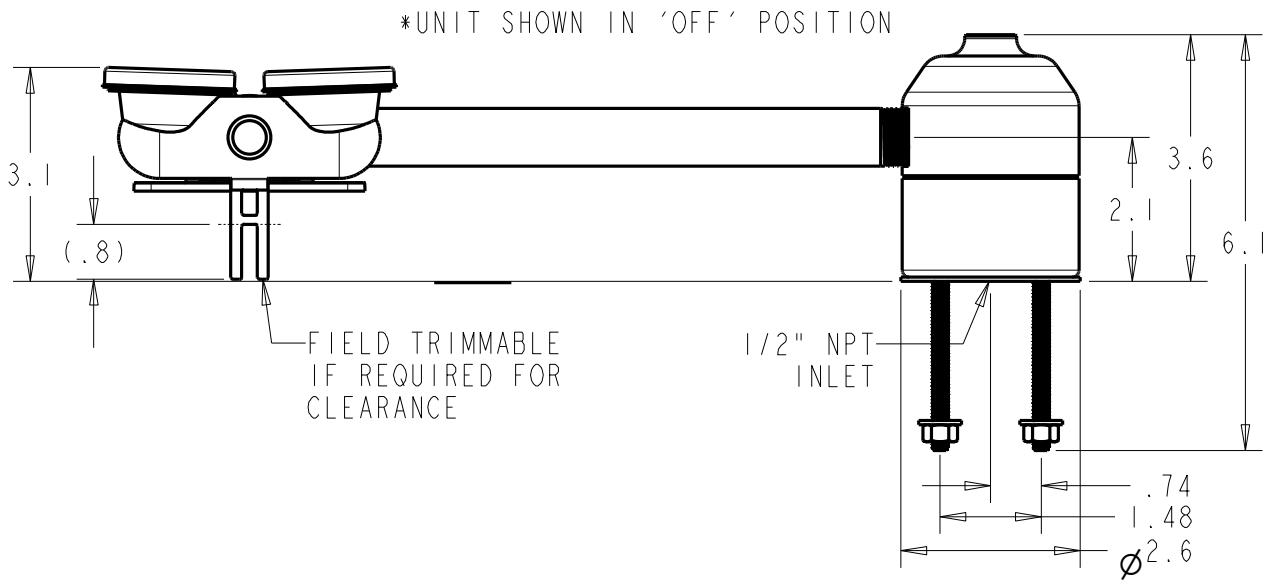
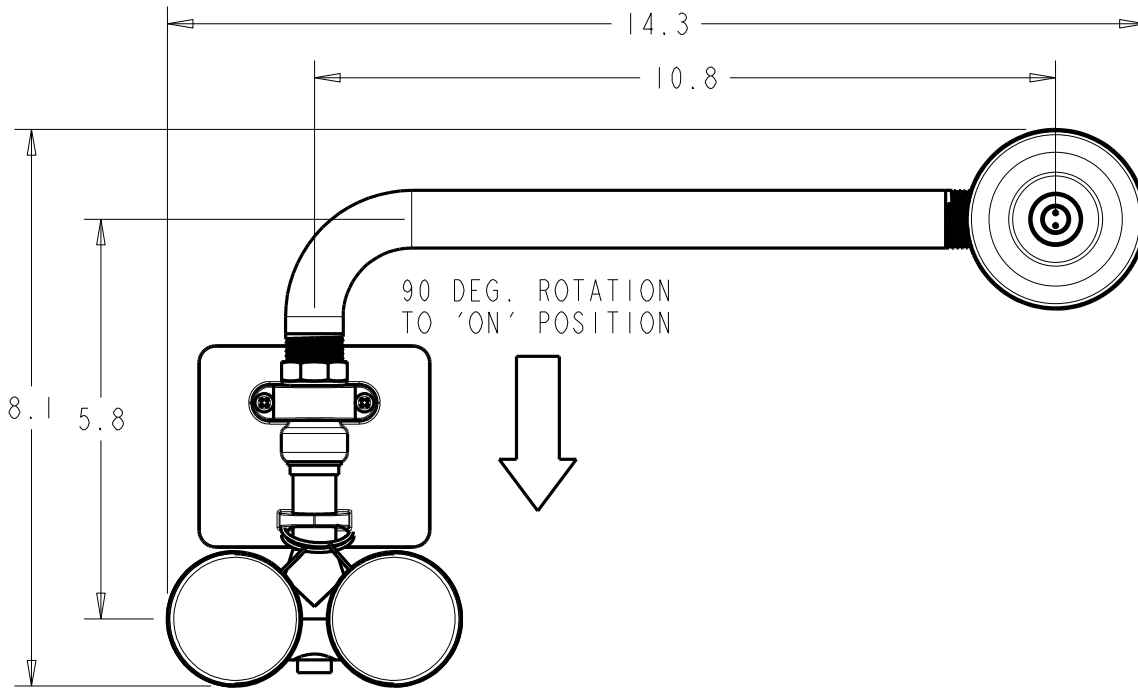
- Filter (FLT)
- No Filter (NFT)

For a complete **TEPID** solution, this fixture shall be combined with a Stingray SV107 emergency mixing valve.



5330 East 25th Street
Indianapolis Indiana 46218
(888) 445-4142
www.tepid.com

ANSI/ISEA Z358.1 Certified
Patent Information:
tepid.com/patents



Model: S2261 & S2561